

# Micron Commercial Fibreglass Filters

Proven Strength and Durability



Manufactured from the highest grade of non corrosive materials and employing the latest in fibreglass winding technology, Micron fibreglass filters are designed and built for many years of trouble free operation. Micron commercial fibreglass filters are available in top mount, side mount and horizontal configurations from filter areas of 0.87m<sup>2</sup> to 10.0m<sup>2</sup>.

- Precision fibreglass winding
- UV and corrosion resistant
- Hydraulically balanced laterals
- Pressure rated at 250 kPa (36 psi), 400 kPa (58 psi), 600 kPa (87psi) and up to 800 kPa (116 psi)
- Optional sight glasses and lateral man holes
- Optional vinyl ester tanks for commercial / industrial applications

## Micron Commercial Fibreglass Filters

Waterco's capacity for manufacturing a wide range of standard equipment as well its capability of adapting the product to customer's specifications has made Micron fibreglass vessels suitable for water theme parks, commercial swimming pools, hotel/resort pools, aquaculture, cooling towers, drinking water systems, food/beverage processing, industrial process, water features, zoos and aquariums.



### Resort World - Singapore

12 x Micron MD6500 filters and 11 x Micron M5000 filters were installed to filter over 15 millions litres of water at Universal Studios Singapore.



### South Australia Country Water Quality Improvement Program - South Australia, Australia

United Group Infrastructure utilised 8 x Micron SMDD2200 filters and 17 x Micron SMDD2500 filters filled with granular activated carbon to remove unwanted taste and odours in its final filtration stages.



### Desalination plant - Faw region in Basrah, Iraq

40 x Waterco Micron SMD2000 filters were installed in 4 water desalination plants, constructed in the Faw region in Basrah. Each desalination plant has an output of 100m<sup>3</sup>/hr and the combined pre-filtration flow rate is approximately 1000 - 1100 m<sup>3</sup>/hr.



### Ammonia removal plant - West Sussex, United Kingdom

Operating at the end of a sewage plant, Waterco custom made Lacron filters process pre-filtered water containing high levels of ammonia. Prior to the installation of the filter, the ammonia levels were far too high to allow the water company to discharge to a nearby river.





## Micron fibreglass filters

Micron fibreglass filters embody the latest in fibreglass winding technology. Waterco's digitally controlled filament winding machine faultlessly winds continuous strands of high quality fibreglass filament under controlled tension to create a seamless one-piece vessel with refined consistency and superior quality. There are no welds or seams or special tank linings which can corrode or electrolyse.

Waterco's quality control procedures ensure that the structural requisites of the product are achieved at every stage of production. This results in a 100% compliance of the end product with the specifications.

The design and the manufacturing process of the whole vessel, utilising the latest filament winding machines, incorporation of non metallic fittings plus reinforced manhole openings with proprietary methods, is unique to Waterco.

## Why fibreglass instead of steel?

Using non metallic components fibreglass pressure tanks are rapidly replacing steel tanks in numerous applications. Fibreglass vessels offer several advantages in comparison with steel vessels.

Fibreglass vessels have a superior mechanical and chemical resistance superior to steel. Fibreglass tanks do not rust or corrode and are able to withstand damage from many types of water treatment chemicals.

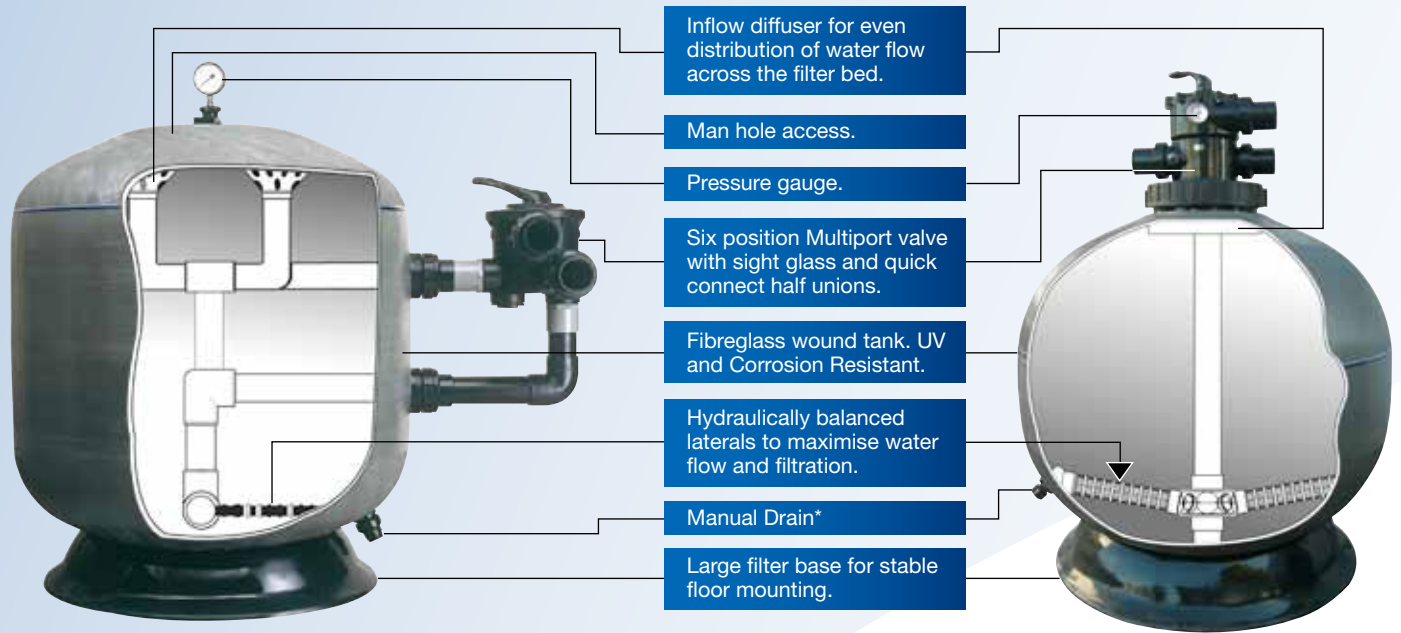


Fibreglass vessels weigh only 1/3 the weight of steel vessels while maintaining the same level of strength. Their weight makes them easier to ship to the job site and easier to install.

Once installed there are virtually no maintenance or repairs required. Steel vessels require the anti-corrosive coating to be maintained periodically and certified welders to make repairs to the lining with expensive epoxy coating.



# Micron Top and Sidemount Fibreglass Filters



Waterco Sidemount Fibreglass

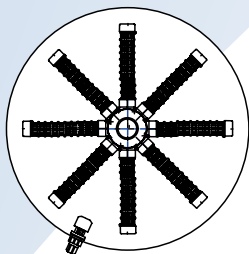
Micron Top Mount Filters

\* Optional manual drain

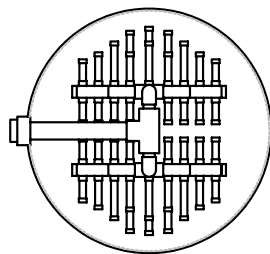
- Maximum working temperature of 50°C (122°F).
- Pressure rated at 250 kPa (36 psi), 400 kPa (58 psi), 600 kPa (87psi) and up to 800 kPa (116 psi).
- Optional fibreglass reinforced vinyl ester vessels for ozone applications are available on request.

## Micron “Fish Bone” laterals

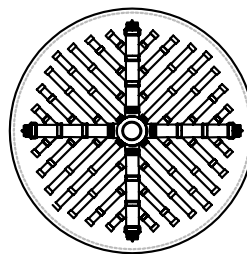
Conventional laterals are not suitable for larger sized commercial filters. “Dead legs” exist between the laterals and water flow is not optimised through the filter bed. Waterco’s “Fish Bone” lateral configuration eliminates any “dead legs” by improving water flow distribution through the filter bed.



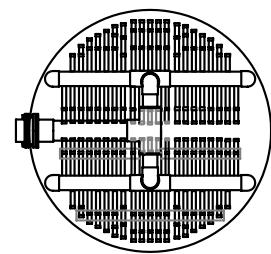
Conventional lateral configuration



Commercial vertical filters with 3” / 80mm ports



Commercial vertical filters with 2 1/2” / 65mm ports as well as the SD1200 and SD1400 with 3” / 80mm ports



Commercial vertical filters with 4”/100mm, 6”/150mm, 8”/200mm ports



## Micron Top Mount Filters (S)



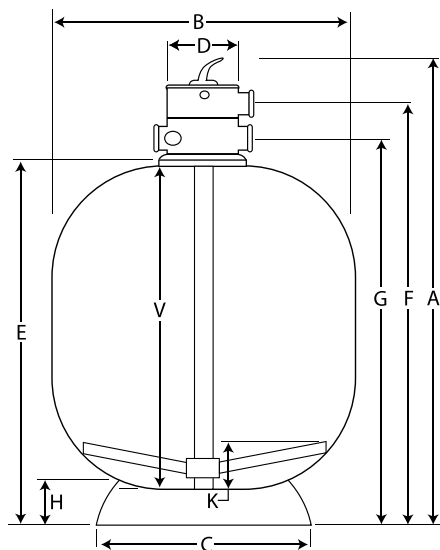
### Micron Top Mount Filters (S) Specification

| Filter Model | Valve Size | EU Valve Size | Bed Depth | Inner Diameter | Filter Area | Filtration Flow Rates               |                                     |                                     |                                     | Backwash Flow Rates                 |                                     |                                     |                                     | Filter Media |      |         |
|--------------|------------|---------------|-----------|----------------|-------------|-------------------------------------|-------------------------------------|-------------------------------------|-------------------------------------|-------------------------------------|-------------------------------------|-------------------------------------|-------------------------------------|--------------|------|---------|
|              |            |               |           |                |             | 30m <sup>3</sup> /hr/m <sup>2</sup> | 30m <sup>3</sup> /hr/m <sup>2</sup> | 36m <sup>3</sup> /hr/m <sup>2</sup> | 36m <sup>3</sup> /hr/m <sup>2</sup> | 40m <sup>3</sup> /hr/m <sup>2</sup> | 40m <sup>3</sup> /hr/m <sup>2</sup> | 50m <sup>3</sup> /hr/m <sup>2</sup> | 50m <sup>3</sup> /hr/m <sup>2</sup> | Media        | Sand | ZeoPlus |
|              |            |               |           |                |             | lpm                                 | m <sup>3</sup> /hr                  | lpm                                 | m <sup>3</sup> /hr                  | lpm                                 | m <sup>3</sup> /hr                  | lpm                                 | m <sup>3</sup> /hr                  | litres       | Kg   | Kg      |
| S750         | 50         | 63            | 340       | 750            | 0.44        | 221                                 | 13                                  | 265                                 | 16                                  | 295                                 | 18                                  | 368                                 | 22                                  | 178          | 260  | 214     |
| S800         | 50         | 63            | 420       | 800            | 0.50        | 251                                 | 15                                  | 302                                 | 18                                  | 335                                 | 20                                  | 419                                 | 25                                  | 233          | 340  | 279     |
| S900         | 50         | 63            | 420       | 900            | 0.64        | 318                                 | 19                                  | 382                                 | 23                                  | 424                                 | 25                                  | 530*                                | 32*                                 | 322          | 470  | 386     |
| S1000        | 50         | 63            | 480       | 1000           | 0.79        | 393                                 | 24                                  | 471                                 | 28                                  | 524*                                | 31*                                 | 655                                 | 39                                  | 438          | 640  | 526     |
| S1050        | 65         | 75            | 510       | 1050           | 0.87        | 433                                 | 26                                  | 520                                 | 31                                  | 577                                 | 35                                  | 722                                 | 43                                  | 503          | 735  | 604     |
| S1200        | 65         | 75            | 580       | 1200           | 1.13        | 566                                 | 34                                  | 679                                 | 41                                  | 754                                 | 45                                  | 942*                                | 57*                                 | 736          | 1075 | 884     |
| S1200        | 80         | 90            | 580       | 1200           | 1.13        | 566                                 | 34                                  | 679                                 | 41                                  | 754                                 | 45                                  | 942*                                | 57*                                 | 760          | 1100 | 912     |

\*Waterco's recommended flow rates per port size. 50mm/63mm(EU), 510lpm, 30.6m<sup>3</sup>/hr 65mm/75mm(EU), 760lpm, 45.6m<sup>3</sup>/hr

### Dimension (mm)

| Model | Valve Size | EU Valve Size | A    | B    | C    | D   | E    | F    | G    | H   | V    | K   |
|-------|------------|---------------|------|------|------|-----|------|------|------|-----|------|-----|
|       | mm         | mm            | mm   | mm   | mm   | mm  | mm   | mm   | mm   | mm  | mm   | mm  |
| S750  | 50         | 63            | 1217 | 772  | 620  | 220 | 867  | 1037 | 937  | 90  | 773  | 127 |
| S800  | 50         | 63            | 1157 | 810  | 620  | 220 | 807  | 977  | 877  | 90  | 713  | 111 |
| S900  | 50         | 63            | 1234 | 910  | 620  | 220 | 884  | 1054 | 954  | 90  | 785  | 163 |
| S1000 | 50         | 63            | 1384 | 1010 | 678  | 220 | 1034 | 1204 | 1104 | 120 | 888  | 164 |
| S1050 | 65         | 75            | 1490 | 1077 | 1045 | 264 | 1090 | 1316 | 1183 | 176 | 940  | 163 |
| S1200 | 65         | 75            | 1615 | 1210 | 1045 | 264 | 1215 | 1441 | 1308 | 176 | 1040 | 173 |
| S1200 | 80         | 90            | 1947 | 1232 | 1045 | 301 | 1455 | 1675 | 1566 | 176 | 1200 | 200 |



## Micron Top Mount Deep Bed Filters (SD)

The effect of deep media bed improves the filtration efficiency over standard high-rate filters by providing enhanced in-depth filtration and increased dirt capacity.

The filter's 500mm to 1000mm media bed ensures that finer dirt particles and colloidal substances are retained to a far greater level than a filter with a shallower bed depth.



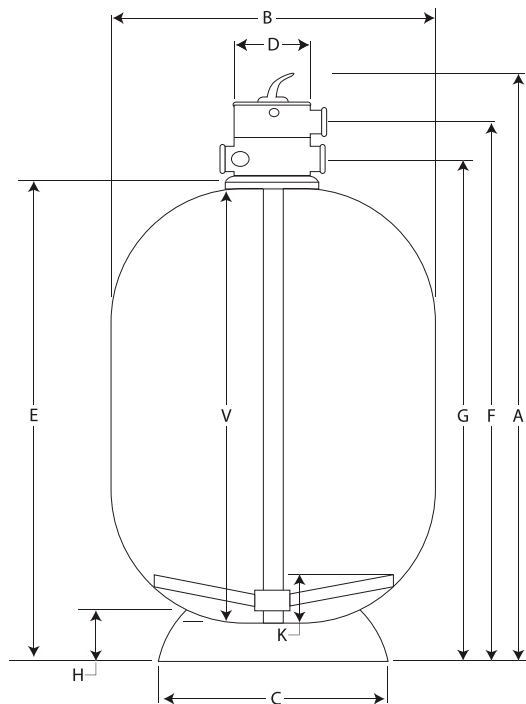
### Micron Top Mount Deep Bed Filters (SD) Specification

| Filter Model | Valve Size | EU Valve Size | Bed Depth | Inner Diameter | Filter Area | Filtration Flow Rates |            |            |            | Backwash Flow Rates |            |            |            | Filter Media |      |         |
|--------------|------------|---------------|-----------|----------------|-------------|-----------------------|------------|------------|------------|---------------------|------------|------------|------------|--------------|------|---------|
|              |            |               |           |                |             | 30m³/hr/m²            | 30m³/hr/m² | 36m³/hr/m² | 36m³/hr/m² | 40m³/hr/m²          | 40m³/hr/m² | 50m³/hr/m² | 50m³/hr/m² | Media        | Sand | ZeoPlus |
|              | mm         | mm            | mm        | mm             | m²          | lpm                   | m³/hr      | lpm        | m³/hr      | lpm                 | m³/hr      | lpm        | m³/hr      | litres       | Kg   | Kg      |
| SD750        | 50         | 63            | 500       | 750            | 0.44        | 221                   | 13         | 265        | 16         | 295                 | 18         | 368        | 22         | 247          | 360  | 296     |
| SD900        | 50         | 63            | 500       | 900            | 0.64        | 318                   | 19         | 382        | 23         | 424                 | 25         | 530*       | 32         | 377          | 550  | 452     |
| SD1200       | 80         | 90            | 1000      | 1200           | 1.13        | 566                   | 34         | 679        | 41         | 754                 | 45         | 943        | 57         | 1205         | 1760 | 1447    |
| SD1400       | 80         | 90            | 1000      | 1400           | 1.54        | 770                   | 46         | 924        | 55         | 1026                | 62         | 1283*      | 77         | 1623         | 2370 | 1948    |

\*Waterco's recommended flow rates per port size. 50mm/63mm(EU), 510lpm, 30.6m³/hr 80mm/90mm(EU), 1080lpm, 64.8m³/hr

### Dimension (mm)

| Model  | Valve Size | EU Valve Size | A    | B    | C    | D   | E    | F    | G    | H   | V    | K   |
|--------|------------|---------------|------|------|------|-----|------|------|------|-----|------|-----|
| SD750  | 50         | 63            | 1320 | 776  | 678  | 220 | 970  | 1140 | 1040 | 120 | 838  | 125 |
| SD900  | 50         | 63            | 1372 | 910  | 678  | 220 | 1022 | 1192 | 1092 | 120 | 880  | 172 |
| SD1200 | 80         | 90            | 2118 | 1232 | 1045 | 301 | 1626 | 1846 | 1737 | 176 | 1420 | 200 |
| SD1400 | 80         | 90            | 2142 | 1442 | 1202 | 301 | 1650 | 1870 | 1761 | 218 | 1400 | 200 |



# Micron Side Mount Filters (SM)



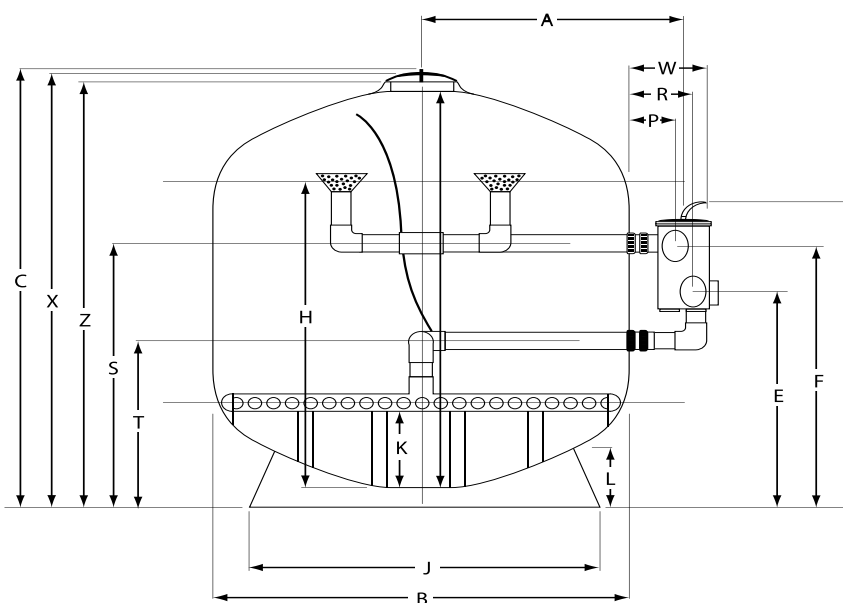
## Micron Side Mount Filters (SM) Specification

| Filter Model | Valve Size | EU Valve Size | Bed Depth | Inner Diameter | Filter Area | Filtration Flow Rates               |                                     |                                     |                                     | Backwash Flow Rates                 |                                     |                                     |                                     | Filter Media |      |         |
|--------------|------------|---------------|-----------|----------------|-------------|-------------------------------------|-------------------------------------|-------------------------------------|-------------------------------------|-------------------------------------|-------------------------------------|-------------------------------------|-------------------------------------|--------------|------|---------|
|              |            |               |           |                |             | 30m <sup>3</sup> /hr/m <sup>2</sup> | 30m <sup>3</sup> /hr/m <sup>2</sup> | 36m <sup>3</sup> /hr/m <sup>2</sup> | 36m <sup>3</sup> /hr/m <sup>2</sup> | 40m <sup>3</sup> /hr/m <sup>2</sup> | 40m <sup>3</sup> /hr/m <sup>2</sup> | 50m <sup>3</sup> /hr/m <sup>2</sup> | 50m <sup>3</sup> /hr/m <sup>2</sup> | Media        | Sand | ZeoPlus |
|              |            |               |           |                |             | lpm                                 | m <sup>3</sup> /hr                  | lpm                                 | m <sup>3</sup> /hr                  | lpm                                 | m <sup>3</sup> /hr                  | lpm                                 | m <sup>3</sup> /hr                  | litres       | Kg   | Kg      |
| SM750        | 50         | 63            | 400       | 750            | 0.44        | 221                                 | 13                                  | 265                                 | 16                                  | 295                                 | 18                                  | 368                                 | 22                                  | 195          | 285  | 234     |
| SM800        | 50         | 63            | 410       | 800            | 0.50        | 251                                 | 15                                  | 302                                 | 18                                  | 335                                 | 20                                  | 419                                 | 25                                  | 233          | 340  | 279     |
| SM900        | 50         | 63            | 440       | 900            | 0.64        | 318                                 | 19                                  | 382                                 | 23                                  | 424                                 | 25                                  | 530*                                | 32                                  | 301          | 440  | 362     |
| SM1050       | 65         | 75            | 470       | 1050           | 0.87        | 433                                 | 26                                  | 520                                 | 31                                  | 577                                 | 35                                  | 722                                 | 43                                  | 432          | 630  | 518     |
| SM1200       | 80         | 90            | 580       | 1200           | 1.13        | 566                                 | 34                                  | 679                                 | 41                                  | 754                                 | 45                                  | 943                                 | 57                                  | 705          | 1030 | 847     |
| SM1400       | 80         | 90            | 670       | 1400           | 1.54        | 770                                 | 46                                  | 924                                 | 55                                  | 1026                                | 62                                  | 1283*                               | 77                                  | 1130         | 1650 | 1356    |
| SM1600       | 100        | 110           | 670       | 1600           | 2.01        | 1005                                | 60                                  | 1206                                | 72                                  | 1340                                | 80                                  | 1676                                | 101                                 | 1483         | 2165 | 1779    |

\*Waterco's recommended flow rates per port size. 50mm/63mm(EU), 510lpm, 30.6m<sup>3</sup>/hr 80mm/90mm(EU), 1080lpm, 64.8m<sup>3</sup>/hr

## Dimension (mm)

| Model  | Valve Size | EU Valve Size | A    | B    | C    | W   | R   | P   | E   | F    | K   | V    | H    | L   | X    | Y    | Z    | J    | S    | T   |
|--------|------------|---------------|------|------|------|-----|-----|-----|-----|------|-----|------|------|-----|------|------|------|------|------|-----|
| SM750  | 50         | 63            | 613  | 772  | 976  | 334 | 262 | 191 | 541 | 643  | 113 | 763  | 652  | 90  | 943  | 800  | 870  | 620  | 541  | 337 |
| SM800  | 50         | 63            | 638  | 821  | 1006 | 334 | 262 | 191 | 560 | 662  | 127 | 790  | 747  | 90  | 973  | 819  | 900  | 620  | 560  | 357 |
| SM900  | 50         | 63            | 689  | 923  | 1086 | 334 | 262 | 191 | 591 | 693  | 113 | 860  | 750  | 90  | 1053 | 850  | 980  | 620  | 591  | 387 |
| SM1050 | 65         | 75            | 796  | 1077 | 1308 | 389 | 298 | 193 | 737 | 863  | 120 | 1000 | 880  | 176 | 1223 | 1047 | 1153 | 1045 | 737  | 437 |
| SM1200 | 80         | 90            | 970  | 1232 | 1485 | 537 | 404 | 300 | 952 | 1062 | 150 | 1145 | 982  | 176 | 1400 | 1296 | 1330 | 1045 | 952  | 596 |
| SM1400 | 80         | 90            | 1083 | 1442 | 1608 | 510 | 363 | 548 | 998 | 1108 | 190 | 1217 | 1065 | 218 | 1523 | 1380 | 1453 | 1202 | 998  | 642 |
| SM1600 | 100        | 110           | 1765 | 1644 | 1875 | 943 | 474 | 629 | 707 | 369  | 205 | 1520 | 1300 | 218 | 1790 | 707  | 1720 | 1202 | 1139 | 707 |



## Micron Side Mount Deep Bed Filters (SMD & SMDD)

The effect of deep media bed improves the filtration efficiency over standard High-rate filters by providing enhanced in-depth filtration and increased dirt capacity. In addition, the greater bed depth permits efficient use of mixed bed filter media and water treatment media such as granular activated carbon.

The filter's 1000mm (SMD) to 1200mm (SMDD) media bed ensures that finer dirt particles and colloidal substances are retained to a far greater level than a filter with a shallower bed depth.



### Micron SMD Specification

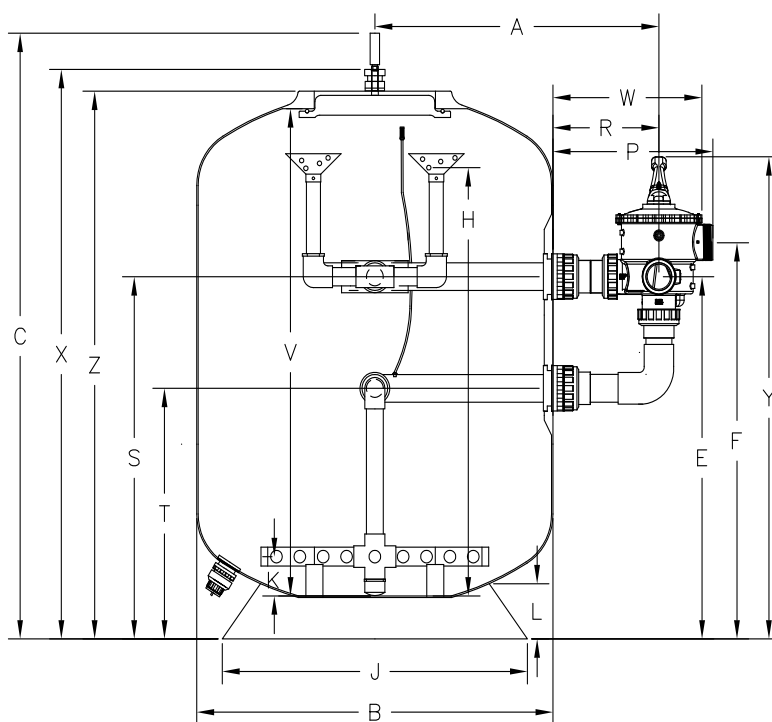
| Filter Model | Valve Size | EU Valve Size | Bed Depth | Inner Diameter | Filter Area | Filtration Flow Rates |            |            |            | Backwash Flow Rates |            |            |            | Filter Media |      |         |
|--------------|------------|---------------|-----------|----------------|-------------|-----------------------|------------|------------|------------|---------------------|------------|------------|------------|--------------|------|---------|
|              |            |               |           |                |             | 30m³/hr/m²            | 30m³/hr/m² | 36m³/hr/m² | 36m³/hr/m² | 40m³/hr/m²          | 40m³/hr/m² | 50m³/hr/m² | 50m³/hr/m² | Media        | Sand | ZeoPlus |
|              |            |               |           |                |             | lpm                   | m³/hr      | lpm        | m³/hr      | lpm                 | m³/hr      | lpm        | m³/hr      | litres       | Kg   | Kg      |
| SMD750       | 50         | 63            | 1000      | 750            | 0.44        | 221                   | 13         | 265        | 16         | 295                 | 18         | 368        | 22         | 459          | 670  | 551     |
| SMD900       | 50         | 63            | 1000      | 900            | 0.64        | 318                   | 19         | 382        | 23         | 424                 | 25         | 530*       | 32         | 658          | 960  | 789     |
| SMD900       | 65         | 75            | 1000      | 900            | 0.64        | 318                   | 19         | 382        | 23         | 424                 | 25         | 530*       | 32         | 726          | 1060 | 871     |
| SMD900       | 80         | 90            | 1000      | 900            | 0.64        | 318                   | 19         | 382        | 23         | 424                 | 25         | 530        | 32         | 699          | 1020 | 838     |
| SMD1050      | 65         | 75            | 1000      | 1050           | 0.87        | 433                   | 26         | 520        | 31         | 577                 | 35         | 722        | 43         | 973          | 1420 | 1167    |
| SMD1050      | 80         | 90            | 1000      | 1050           | 0.87        | 433                   | 26         | 520        | 31         | 577                 | 35         | 722        | 43         | 966          | 1410 | 1159    |
| SMD1200      | 65         | 75            | 1000      | 1200           | 1.13        | 566                   | 34         | 679        | 41         | 754                 | 45         | 942*       | 57         | 1219         | 1780 | 1463    |
| SMD1200      | 80         | 90            | 1000      | 1200           | 1.13        | 566                   | 34         | 679        | 41         | 754                 | 45         | 942        | 57         | 1175         | 1715 | 1414    |
| SMD1200      | 100        | 110           | 1000      | 1200           | 1.13        | 566                   | 34         | 679        | 41         | 754                 | 45         | 942        | 57         | 1192         | 1740 | 1430    |
| SMD1400      | 80         | 90            | 1000      | 1400           | 1.54        | 770                   | 46         | 924        | 55         | 1026                | 62         | 1283*      | 77         | 1723         | 2515 | 2067    |
| SMD1400      | 100        | 110           | 1000      | 1400           | 1.54        | 770                   | 46         | 924        | 55         | 1026                | 62         | 1283       | 77         | 1637         | 2390 | 1964    |
| SMD1600      | 100        | 110           | 1000      | 1600           | 2.01        | 1005                  | 60         | 1206       | 72         | 1340                | 80         | 1676       | 101        | 2092         | 3055 | 2515    |
| SMD1600      | 150        | 160           | 1000      | 1600           | 2.01        | 1005                  | 60         | 1206       | 72         | 1340                | 80         | 1676       | 101        | 2123         | 3100 | 2548    |
| SMD1800      | 100        | 110           | 1000      | 1800           | 2.54        | 1272                  | 76         | 1527       | 92         | 1696                | 102        | 2121*      | 127        | 2880         | 4205 | 3456    |
| SMD1800      | 150        | 160           | 1000      | 1800           | 2.54        | 1272                  | 76         | 1527       | 92         | 1696                | 102        | 2121       | 127        | 2904         | 4240 | 3485    |
| SMD2000      | 150        | 160           | 1000      | 2000           | 3.14        | 1571                  | 94         | 1885       | 113        | 2094                | 126        | 2618       | 157        | 3490         | 5095 | 4188    |

\*Waterco's recommended flow rates per port size. 50mm/63mm(EU), 510lpm, 30.6m³/hr 65mm/75mm(EU), 760lpm, 45.6m³/hr 80mm/90mm(EU), 1080lpm, 64.8m³/hr 100mm/110mm(EU), 1800lpm, 108m³/hr 150mm/160mm(EU), 3420lpm, 205.2m³/hr



## Micron SMD Dimension (mm)

| Model   | Valve Size | EU Valve Size | A    | B    | C    | W   | R   | P   | E    | F    | K   | V    | H    | L   | X    | Y    | Z    | J    | S    | T    |
|---------|------------|---------------|------|------|------|-----|-----|-----|------|------|-----|------|------|-----|------|------|------|------|------|------|
| SMD750  | 50         | 63            | 689  | 923  | 1762 | 334 | 262 | 191 | 1274 | 1376 | 113 | 1455 | 1363 | 120 | 1729 | 1533 | 1656 | 678  | 1274 | 1071 |
| SMD900  | 50         | 63            | 689  | 923  | 1762 | 334 | 262 | 191 | 1274 | 1376 | 113 | 1455 | 1363 | 120 | 1729 | 1533 | 1656 | 678  | 1274 | 1071 |
| SMD900  | 65         | 75            | 719  | 923  | 1918 | 389 | 298 | 193 | 1300 | 1426 | 223 | 1580 | 1473 | 120 | 1833 | 1610 | 1763 | 678  | 1300 | 1000 |
| SMD900  | 80         | 90            | 824  | 923  | 1918 | 510 | 363 | 548 | 1406 | 1516 | 190 | 1580 | 1440 | 120 | 1833 | 1788 | 1763 | 678  | 1406 | 1050 |
| SMD1050 | 65         | 75            | 796  | 1077 | 1890 | 389 | 298 | 193 | 1044 | 1170 | 220 | 1587 | 1470 | 176 | 1805 | 1354 | 1735 | 1045 | 1044 | 744  |
| SMD1050 | 80         | 90            | 901  | 1077 | 1890 | 510 | 363 | 548 | 1100 | 1210 | 220 | 1587 | 1470 | 176 | 1805 | 1482 | 1735 | 1045 | 1100 | 744  |
| SMD1200 | 65         | 75            | 873  | 1229 | 1905 | 389 | 298 | 193 | 1098 | 1224 | 190 | 1568 | 1440 | 176 | 1820 | 1408 | 1750 | 1045 | 1098 | 798  |
| SMD1200 | 80         | 90            | 977  | 1229 | 1905 | 510 | 363 | 548 | 1154 | 1264 | 150 | 1568 | 1400 | 176 | 1820 | 1536 | 1750 | 1045 | 1154 | 798  |
| SMD1200 | 100        | 110           | 1558 | 1229 | 1905 | 943 | 474 | 629 | 760  | 422  | 180 | 1568 | 1430 | 176 | 1820 | 760  | 1750 | 1045 | 1192 | 760  |
| SMD1400 | 80         | 90            | 1083 | 1442 | 1955 | 510 | 363 | 548 | 1204 | 1314 | 250 | 1615 | 1500 | 218 | 1870 | 1586 | 1800 | 1202 | 1204 | 848  |
| SMD1400 | 100        | 110           | 1664 | 1442 | 1955 | 943 | 474 | 629 | 810  | 472  | 200 | 1615 | 1450 | 218 | 1870 | 810  | 1800 | 1202 | 1242 | 810  |
| SMD1600 | 100        | 110           | 1765 | 1644 | 1994 | 943 | 474 | 629 | 757  | 419  | 180 | 1615 | 1430 | 218 | 1909 | 757  | 1839 | 1202 | 1189 | 757  |
| SMD1600 | 150        | 160           | -    | 1644 | 1994 | -   | -   | -   | -    | -    | 220 | 1615 | 1470 | 218 | 1909 | -    | 1839 | 1202 | 1200 | 717  |
| SMD1800 | 100        | 110           | 1863 | 1839 | 1985 | 943 | 474 | 629 | 751  | 413  | 300 | 1660 | 1550 | 315 | 1900 | 751  | 1830 | 1755 | 1183 | 751  |
| SMD1800 | 150        | 160           | -    | 1839 | 1985 | -   | -   | -   | -    | -    | 320 | 1660 | 1570 | 315 | 1900 | -    | 1830 | 1755 | 1168 | 685  |
| SMD2000 | 150        | 160           | -    | 2042 | 2063 | -   | -   | -   | -    | -    | 300 | 1765 | 1550 | 245 | 1978 | -    | 1908 | 1755 | 1215 | 732  |



# Micron Side Mount Deep Bed Optional Extras

Waterco Micron Side Mount Deep Bed Commercial filters are now available with the option of:

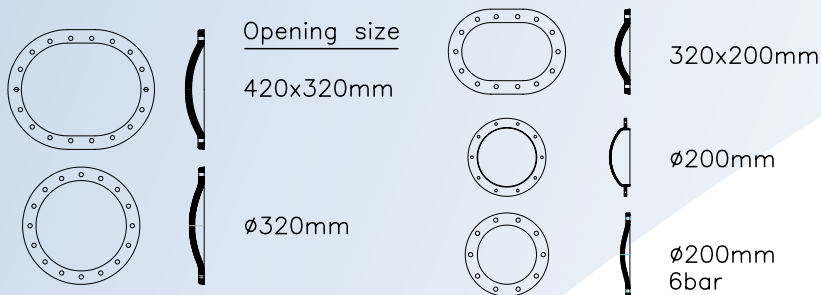
1. 50mm, 80mm or 100mm sight glasses or 150mm sight glasses.
2. 200mm, 300mm to 420mm x 320mm lateral manholes.
3. Fibreglass reinforced vinyl ester for improved resistance.
4. Extra reinforcement to increase the working pressure rating to 400 kPa (58 psi), 600 kPa (87psi) and 800 kPa (116 psi).
5. 80mm, 100mm or 150mm ANSI Flanges.



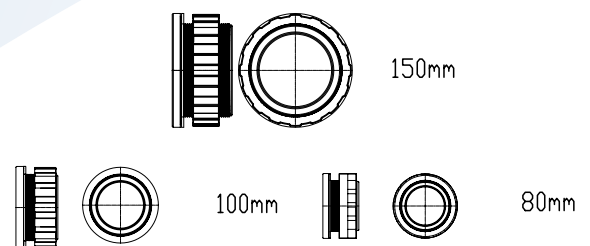
Sight glass.

Lateral man hole.

## Side hatch / Lateral manhole cover



## Sight Glass



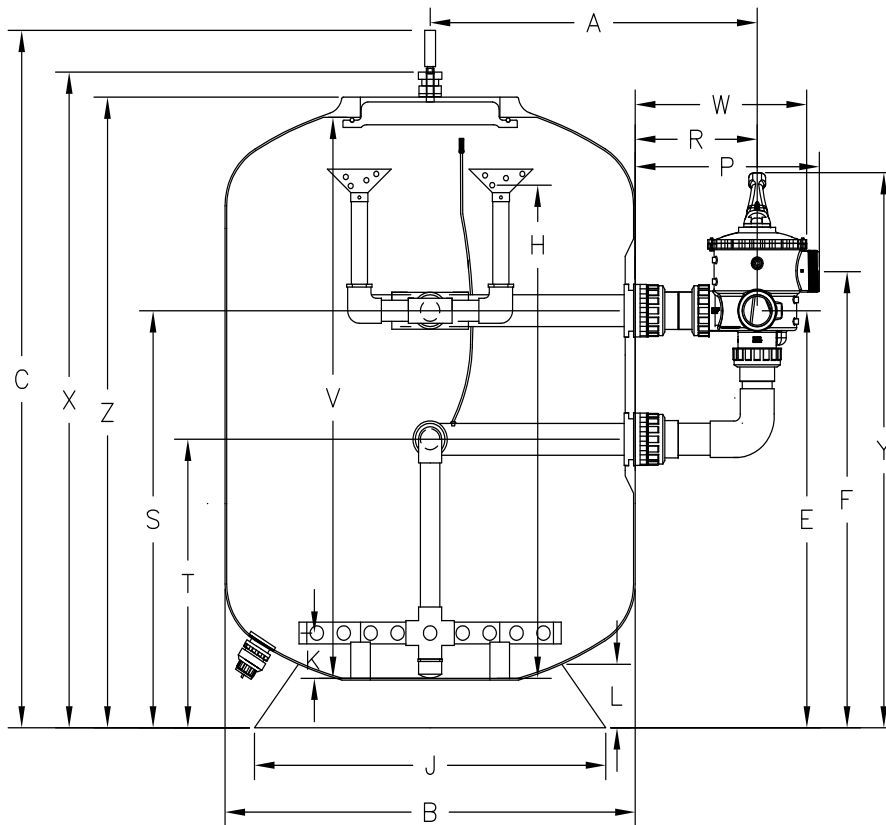
## Micron SMDD Specification

| Filter Model | Valve Size | EU Valve Size | Bed Depth | Inner Diameter | Filter Area | Filtration Flow Rates |            |            |            | Backwash Flow Rates |            |            |            | Filter Media |      |         |
|--------------|------------|---------------|-----------|----------------|-------------|-----------------------|------------|------------|------------|---------------------|------------|------------|------------|--------------|------|---------|
|              |            |               |           |                |             | 30m³/hr/m²            | 30m³/hr/m² | 36m³/hr/m² | 36m³/hr/m² | 40m³/hr/m²          | 40m³/hr/m² | 50m³/hr/m² | 50m³/hr/m² | Media        | Sand | ZeoPlus |
|              |            |               |           |                |             | lpm                   | m³/hr      | lpm        | m³/hr      | lpm                 | m³/hr      | lpm        | m³/hr      | litres       | Kg   | Kg      |
| SMDD750      | 50         | 63            | 1200      | 750            | 0.44        | 221                   | 13         | 265        | 16         | 295                 | 18         | 368        | 22         | 545          | 795  | 653     |
| SMDD900      | 50         | 63            | 1200      | 900            | 0.64        | 318                   | 19         | 382        | 23         | 424                 | 25         | 530*       | 32*        | 784          | 1145 | 941     |
| SMDD900      | 65         | 75            | 1200      | 900            | 0.64        | 318                   | 19         | 382        | 23         | 424                 | 25         | 530*       | 32*        | 784          | 1145 | 941     |
| SMDD900      | 80         | 90            | 1200      | 900            | 0.64        | 318                   | 19         | 382        | 23         | 424                 | 25         | 530        | 32         | 822          | 1200 | 986     |
| SMDD1050     | 65         | 75            | 1200      | 1050           | 0.87        | 433                   | 26         | 520        | 31         | 577                 | 35         | 722        | 43         | 1144         | 1670 | 1373    |
| SMDD1050     | 80         | 90            | 1200      | 1050           | 0.87        | 433                   | 26         | 520        | 31         | 577                 | 35         | 722        | 43         | 1140         | 1665 | 1368    |
| SMDD1200     | 65         | 75            | 1200      | 1200           | 1.13        | 566                   | 34         | 679        | 41         | 754                 | 45         | 942*       | 57*        | 1442         | 2105 | 1730    |
| SMDD1200     | 80         | 90            | 1200      | 1200           | 1.13        | 566                   | 34         | 679        | 41         | 754                 | 45         | 942        | 57         | 1401         | 2045 | 1681    |
| SMDD1200     | 100        | 110           | 1200      | 1200           | 1.13        | 566                   | 34         | 679        | 41         | 754                 | 45         | 942        | 57         | 1414         | 2065 | 1697    |
| SMDD1400     | 80         | 90            | 1200      | 1400           | 1.54        | 770                   | 46         | 924        | 55         | 1026                | 62         | 1283*      | 77*        | 2031         | 2965 | 2437    |
| SMDD1400     | 100        | 110           | 1200      | 1400           | 1.54        | 770                   | 46         | 924        | 55         | 1026                | 62         | 1283       | 77         | 1945         | 2840 | 2334    |
| SMDD1600     | 100        | 110           | 1200      | 1600           | 2.01        | 1005                  | 60         | 1206       | 72         | 1340                | 80         | 1676       | 101        | 2524         | 3685 | 3029    |
| SMDD1800     | 100        | 110           | 1200      | 1800           | 2.54        | 1272                  | 76         | 1527       | 92         | 1696                | 102        | 2121*      | 127*       | 3192         | 4660 | 3830    |
| SMDD1800     | 150        | 160           | 1200      | 1800           | 2.54        | 1272                  | 76         | 1527       | 92         | 1696                | 102        | 2121       | 127        | 3408         | 4975 | 4089    |
| SMDD2000     | 150        | 160           | 1200      | 2000           | 3.14        | 1571                  | 94         | 1885       | 113        | 2094                | 126        | 2618       | 157        | 4171         | 6090 | 5005    |
| SMDD2200     | 150        | 160           | 1200      | 2200           | 3.80        | 1901                  | 114        | 2281       | 137        | 2534                | 152        | 3168       | 190        | 5223         | 7625 | 6267    |
| SMDD2350     | 150        | 160           | 1200      | 2350           | 4.34        | 2169                  | 130        | 2602       | 156        | 2892                | 174        | 3614*      | 217*       | 5808         | 8480 | 6970    |
| SMDD2500     | 150        | 160           | 1200      | 2500           | 4.91        | 2454                  | 147        | 2945       | 177        | 3273                | 196        | 4091*      | 245*       | 6538         | 9545 | 7845    |

\*Waterco's recommended flow rates per port size. 50mm/63mm(EU), 510lpm, 30.6m³/hr 65mm/75mm(EU), 760lpm, 45.6m³/hr 80mm/90mm(EU), 1080lpm, 64.8m³/hr 100mm/110mm(EU), 1800lpm, 108m³/hr 150mm/160mm(EU), 3420lpm, 205.2m³/hr

### Micron SMDD Dimension (mm)

| Model    | Valve Size | EU Valve Size | A    | B    | C    | W   | R   | P   | E    | F    | K   | V    | H    | L   | X    | Y    | Z    | J    | S    | T    |
|----------|------------|---------------|------|------|------|-----|-----|-----|------|------|-----|------|------|-----|------|------|------|------|------|------|
| SMDD750  | 50         | 63            | 613  | 772  | 2044 | 334 | 262 | 191 | 1586 | 1688 | 113 | 1780 | 1713 | 120 | 2011 | 1845 | 1938 | 678  | 1586 | 1383 |
| SMDD900  | 50         | 63            | 689  | 923  | 2107 | 334 | 262 | 191 | 1619 | 1721 | 113 | 1800 | 1713 | 120 | 2074 | 1878 | 2001 | 735  | 1619 | 1416 |
| SMDD900  | 65         | 75            | 719  | 923  | 2268 | 389 | 298 | 193 | 1624 | 1750 | 223 | 1930 | 1823 | 120 | 2183 | 1934 | 2113 | 735  | 1624 | 1324 |
| SMDD900  | 80         | 90            | 824  | 923  | 2268 | 510 | 363 | 548 | 1680 | 1790 | 190 | 1930 | 1780 | 120 | 2183 | 2062 | 2113 | 735  | 1680 | 1324 |
| SMDD1050 | 65         | 75            | 796  | 1077 | 2270 | 389 | 298 | 193 | 1594 | 1720 | 220 | 1950 | 1820 | 176 | 2185 | 1904 | 2115 | 1045 | 1594 | 1294 |
| SMDD1050 | 80         | 90            | 901  | 1077 | 2270 | 510 | 363 | 548 | 1650 | 1760 | 220 | 1950 | 1820 | 176 | 2185 | 2032 | 2115 | 1045 | 1650 | 1294 |
| SMDD1200 | 65         | 75            | 873  | 1229 | 2243 | 389 | 298 | 193 | 1609 | 1735 | 190 | 1900 | 1790 | 176 | 2158 | 1919 | 2088 | 1045 | 1609 | 1309 |
| SMDD1200 | 80         | 90            | 977  | 1229 | 2243 | 510 | 363 | 548 | 1665 | 1775 | 150 | 1900 | 1750 | 176 | 2158 | 2047 | 2088 | 1045 | 1665 | 1309 |
| SMDD1200 | 100        | 110           | 1558 | 1229 | 2243 | 943 | 474 | 629 | 883  | 545  | 180 | 1900 | 1780 | 176 | 2158 | 883  | 2088 | 1045 | 1315 | 883  |
| SMDD1400 | 80         | 90            | 1083 | 1442 | 2313 | 510 | 363 | 548 | 1618 | 1728 | 250 | 1970 | 1860 | 218 | 2228 | 2000 | 2158 | 1202 | 1618 | 1262 |
| SMDD1400 | 100        | 110           | 1664 | 1442 | 2313 | 943 | 474 | 629 | 898  | 560  | 200 | 1975 | 1800 | 218 | 2228 | 898  | 2158 | 1202 | 1330 | 898  |
| SMDD1600 | 100        | 110           | 1765 | 1644 | 2285 | 943 | 474 | 629 | 989  | 651  | 200 | 1950 | 1800 | 218 | 2200 | 989  | 2130 | 1202 | 1421 | 989  |
| SMDD1800 | 100        | 110           | 1863 | 1839 | 2260 | 943 | 474 | 629 | 866  | 528  | 210 | 2010 | 1810 | 315 | 2175 | 866  | 2105 | 1755 | 1298 | 866  |
| SMDD1800 | 150        | 160           | -    | 1839 | 2260 | -   | -   | -   | -    | -    | 320 | 2010 | 1920 | 315 | 2175 | -    | 2105 | 1755 | 1383 | 900  |
| SMDD2000 | 150        | 160           | -    | 2042 | 2398 | -   | -   | -   | -    | -    | 320 | 2100 | 1920 | 245 | 2313 | -    | 2243 | 1755 | 1310 | 827  |
| SMDD2200 | 150        | 160           | -    | 2245 | 2415 | -   | -   | -   | -    | -    | 380 | 2090 | 1980 | 245 | 2330 | -    | 2260 | 1755 | 1386 | 903  |
| SMDD2350 | 150        | 160           | -    | 2390 | 2435 | -   | -   | -   | -    | -    | 355 | 2118 | 1955 | 340 | 2330 | -    | 2303 | 2037 | 1500 | 1017 |
| SMDD2500 | 150        | 160           | -    | 2575 | 2510 | -   | -   | -   | -    | -    | 355 | 2190 | 1955 | 340 | 2405 | -    | 2405 | 2037 | 1494 | 1011 |

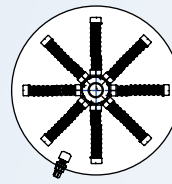


# Micron SPDD Nozzle Plate Filters

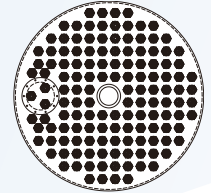
Micron SPDD filters are fitted with a plate and nozzle system, which ensures uniform flow for both filtering and backwashing, ensuring maximum performance through the media bed.



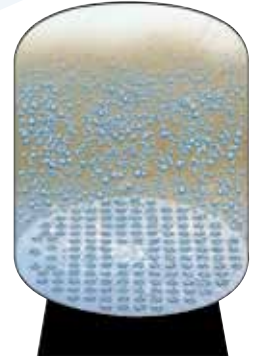
The nozzle plate system also allows the introduction of pressurised air directly into the bottom of the filter media. Uniform introduction of air and water through the nozzle plate provides vigorous agitation and filter media bed expansion required for an effective air/water backwash leading to reduced backwashing times and reduced volumes of water. **Save up to 25% of backwash water.**



Conventional lateral configuration



Nozzle plate configuration



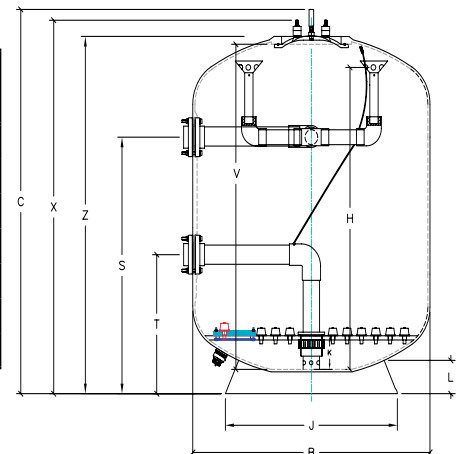
## Micron SPDD Specification

| Filter Model | Valve Size | EU Valve Size | Bed Depth | Inner Diameter | Filter Area | Filtration Flow Rates               |                                     |                                     |                                     | Backwash Flow Rates                 |                                     |                                     |                                     | Filter Media |      |         |
|--------------|------------|---------------|-----------|----------------|-------------|-------------------------------------|-------------------------------------|-------------------------------------|-------------------------------------|-------------------------------------|-------------------------------------|-------------------------------------|-------------------------------------|--------------|------|---------|
|              |            |               |           |                |             | 30m <sup>3</sup> /hr/m <sup>2</sup> | 30m <sup>3</sup> /hr/m <sup>2</sup> | 36m <sup>3</sup> /hr/m <sup>2</sup> | 36m <sup>3</sup> /hr/m <sup>2</sup> | 40m <sup>3</sup> /hr/m <sup>2</sup> | 40m <sup>3</sup> /hr/m <sup>2</sup> | 50m <sup>3</sup> /hr/m <sup>2</sup> | 50m <sup>3</sup> /hr/m <sup>2</sup> | Media        | Sand | ZeoPlus |
|              |            |               |           |                |             | lpm                                 | m <sup>3</sup> /hr                  | lpm                                 | m <sup>3</sup> /hr                  | lpm                                 | m <sup>3</sup> /hr                  | lpm                                 | m <sup>3</sup> /hr                  | litres       | Kg   | Kg      |
| SPDD1050     | 80         | 90            | 1200      | 1050           | 0.87        | 433                                 | 26                                  | 520                                 | 31                                  | 577                                 | 35                                  | 722                                 | 43                                  | 1017         | 1485 | 1221    |
| SPDD1200     | 80         | 90            | 1200      | 1200           | 1.13        | 566                                 | 34                                  | 679                                 | 41                                  | 754                                 | 45                                  | 943                                 | 57                                  | 1322         | 1930 | 1586    |
| SPDD1400     | 100        | 110           | 1200      | 1400           | 1.54        | 770                                 | 46                                  | 924                                 | 55                                  | 1026                                | 62                                  | 1283                                | 77                                  | 1808         | 2640 | 2170    |
| SPDD1600     | 100        | 110           | 1200      | 1600           | 2.01        | 1005                                | 60                                  | 1206                                | 72                                  | 1340                                | 80                                  | 1676                                | 101                                 | 2366         | 3455 | 2840    |
| SPDD1800     | 150        | 160           | 1200      | 1800           | 2.54        | 1272                                | 76                                  | 1527                                | 92                                  | 1696                                | 102                                 | 2121                                | 127                                 | 2966         | 4330 | 3559    |
| SPDD2000     | 150        | 160           | 1200      | 2000           | 3.14        | 1571                                | 94                                  | 1885                                | 113                                 | 2094                                | 126                                 | 2618                                | 157                                 | 3671         | 5360 | 4405    |
| SPDD2350     | 150        | 160           | 1200      | 2350           | 4.34        | 2169                                | 130                                 | 2602                                | 156                                 | 2892                                | 174                                 | 3615*                               | 217*                                | 5089         | 7430 | 6107    |

\*Waterco's recommended flow rates per port size. 80mm/90mm(EU), 1080lpm, 64.8m<sup>3</sup>/hr 100mm/110mm(EU), 1800lpm, 108m<sup>3</sup>/hr 150mm/160mm(EU), 3420lpm, 205.2m<sup>3</sup>/hr

## Micron SPDD Dimension (mm)

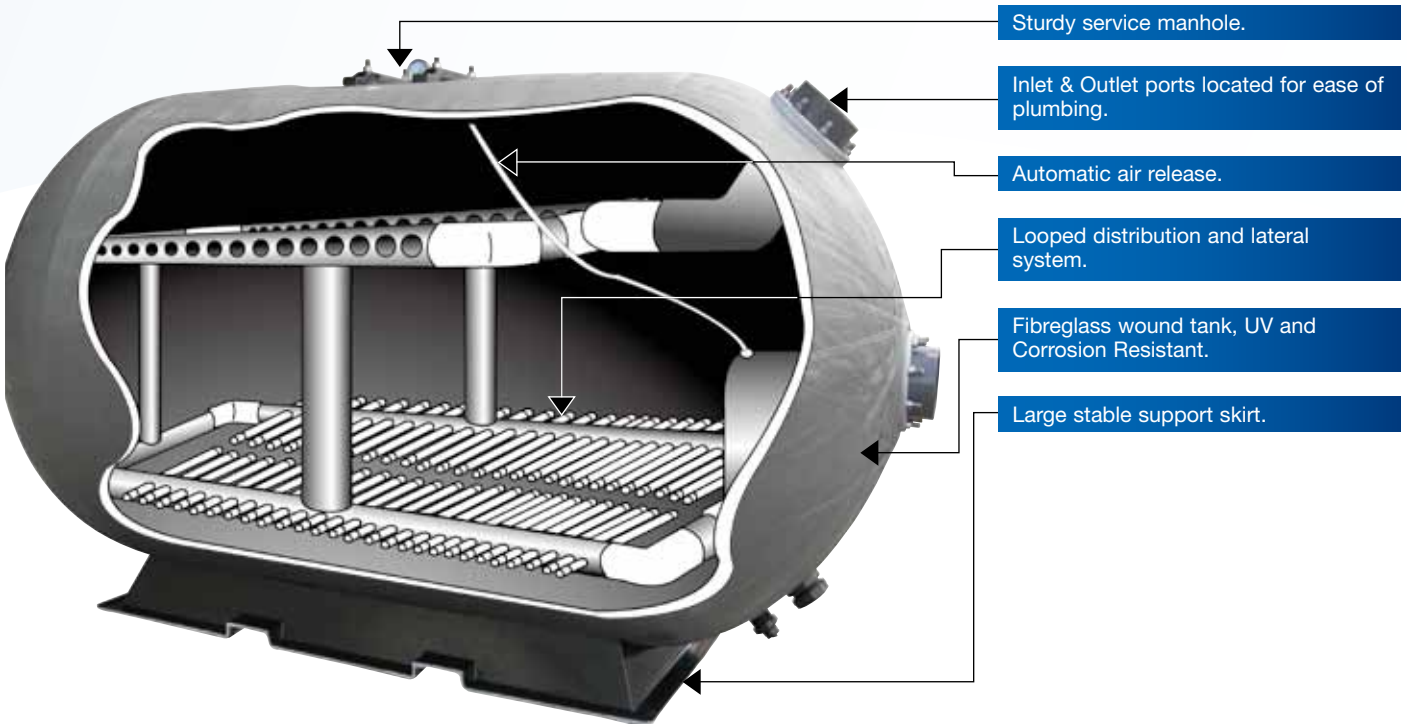
| Model    | Valve Size | EU Valve Size | B    | C    | K   | V    | H    | L   | X    | Z    | J    | S    | T   |
|----------|------------|---------------|------|------|-----|------|------|-----|------|------|------|------|-----|
| SPDD1050 | 80         | 90            | 1077 | 2270 | 220 | 1950 | 1820 | 176 | 2185 | 2115 | 1045 | 1450 | 750 |
| SPDD1200 | 80         | 90            | 1229 | 2243 | 150 | 1900 | 1750 | 176 | 2158 | 2088 | 1045 | 1449 | 749 |
| SPDD1400 | 100        | 110           | 1442 | 2313 | 200 | 1975 | 1800 | 218 | 2228 | 2158 | 1202 | 1514 | 814 |
| SPDD1600 | 100        | 110           | 1644 | 2285 | 200 | 1950 | 1800 | 218 | 2200 | 2130 | 1202 | 1529 | 829 |
| SPDD1800 | 150        | 160           | 1839 | 2260 | 320 | 2010 | 1920 | 315 | 2175 | 2105 | 1755 | 1489 | 789 |
| SPDD2000 | 150        | 160           | 2042 | 2398 | 320 | 2100 | 1920 | 245 | 2313 | 2243 | 1755 | 1489 | 789 |
| SPDD2350 | 150        | 160           | 2390 | 2435 | 355 | 2118 | 1955 | 340 | 2330 | 2330 | 2037 | 1550 | 950 |





# Micron Horizontal Filters

The Micron Horizontal Filter is a space-saving high performer; its compact horizontal design allows installation with minimum waste of space. The shape of the Micron horizontal filter is both attractive and functional. The spherical ends are designed to give uniform flow from both inlet and outlet collection assemblies. Micron Horizontal filters are available with a 500mm (M) filter media bed and a 1200mm (MD) filter media bed.

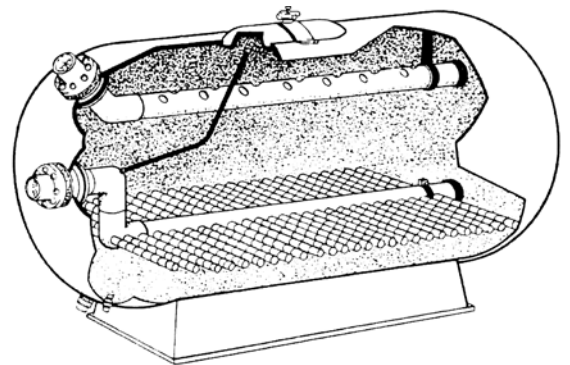


- Sturdy service manhole.
- Inlet & Outlet ports located for ease of plumbing.
- Automatic air release.
- Looped distribution and lateral system.
- Fibreglass wound tank, UV and Corrosion Resistant.
- Large stable support skirt.

## Looped distribution and lateral system

Waterco has introduced a looped lateral configuration for its entire range of commercial horizontal fibreglass filters. Conventional horizontal filter lateral systems consist of straight piping fitted with laterals along the length of the horizontal filter.

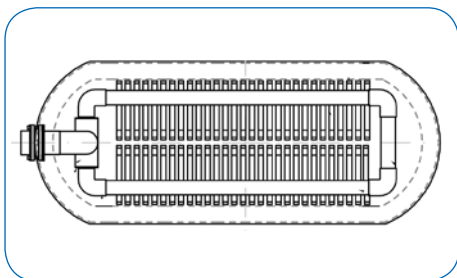
A conventional lateral system results in uneven fluidisation of the filter media bed. The beginning of the lateral system experiences a strong flow of water, which gradually decreases along the length of the lateral piping. Backwash flow also decreases towards the end of each lateral, resulting in non-uniform lifting of the filter media bed.



Conventional horizontal filter lateral configuration

Waterco has vastly improved the hydraulic efficiency its horizontal filter lateral system by looping its horizontal filter's distributors and laterals. The new lateral configuration provides a more natural flow of water through the filter, ensures optimum water filtration and balanced fluidisation of the filter bed during backwashing. Its individual laterals are shortened while maintaining filter media bed coverage, reducing the friction head loss of each lateral, further improving the filter's hydraulic efficiency.

Waterco's looped lateral system reduces backwash run times, saves water and produces flatter more uniform filter media bed after backwashing.



Looped lateral system - Top view



Looped lateral system - Inside view

### Micron Horizontal Filters (M) Specification

| Filter Model | Valve Size | EU Valve Size | Bed Depth | Inner Diameter | Filter Area | Filtration Flow Rates               |                                     |                                     |                                     | Backwash Flow Rates                 |                                     |                                     |                                     | Filter Media |      |         |
|--------------|------------|---------------|-----------|----------------|-------------|-------------------------------------|-------------------------------------|-------------------------------------|-------------------------------------|-------------------------------------|-------------------------------------|-------------------------------------|-------------------------------------|--------------|------|---------|
|              |            |               |           |                |             | 30m <sup>3</sup> /hr/m <sup>2</sup> | 30m <sup>3</sup> /hr/m <sup>2</sup> | 36m <sup>3</sup> /hr/m <sup>2</sup> | 36m <sup>3</sup> /hr/m <sup>2</sup> | 40m <sup>3</sup> /hr/m <sup>2</sup> | 40m <sup>3</sup> /hr/m <sup>2</sup> | 50m <sup>3</sup> /hr/m <sup>2</sup> | 50m <sup>3</sup> /hr/m <sup>2</sup> | Media        | Sand | ZeoPlus |
|              |            |               |           |                |             | lpm                                 | m <sup>3</sup> /hr                  | lpm                                 | m <sup>3</sup> /hr                  | lpm                                 | m <sup>3</sup> /hr                  | lpm                                 | m <sup>3</sup> /hr                  | litres       | Kg   | Kg      |
| M2500        | 100        | 110           | 500       | 1480           | 2.50        | 1250                                | 75                                  | 1500                                | 90                                  | 1667                                | 100                                 | 2083                                | 125                                 | 1452         | 2120 | 1742    |
| M3750        | 150        | 160           | 500       | 1485           | 3.75        | 1875                                | 113                                 | 2250                                | 135                                 | 2500                                | 150                                 | 3125                                | 188                                 | 2370         | 3460 | 2844    |
| M5000        | 150        | 160           | 500       | 1486           | 5.00        | 2500                                | 150                                 | 3000                                | 180                                 | 3333                                | 200                                 | 4167                                | 250                                 | 3190         | 2660 | 3830    |

### Micron Horizontal Filters (M) Dimension (mm)

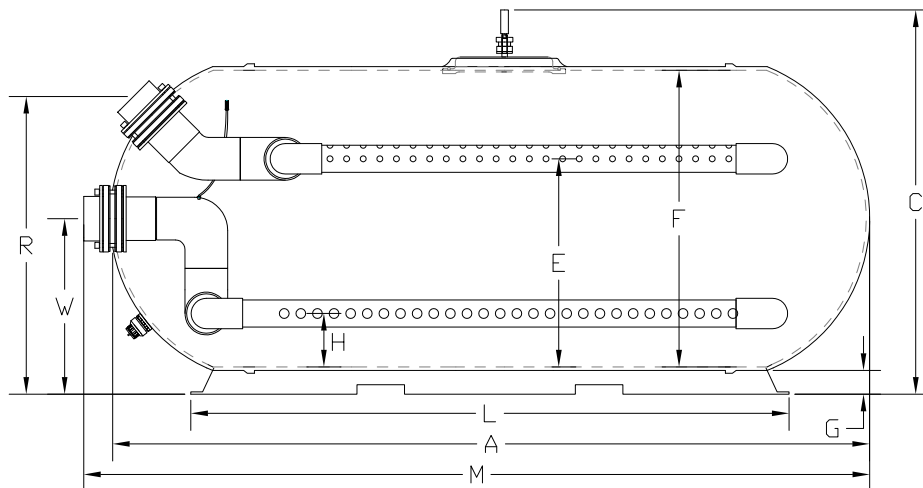
| Model | Valve Size | EU Valve Size | A    | B    | C    | W   | R    | L    | E    | F    | G   | H   | M    |
|-------|------------|---------------|------|------|------|-----|------|------|------|------|-----|-----|------|
| M2500 | 100        | 110           | 2245 | 1260 | 1620 | 740 | 1320 | 1400 | 1005 | 1260 | 150 | 255 | 2327 |
| M3750 | 100        | 110           | 3230 | 1265 | 1620 | 740 | 1320 | 2520 | 1005 | 1260 | 150 | 255 | 3312 |
| M3750 | 150        | 160           | 3230 | 1265 | 1620 | 740 | 1320 | 2520 | 945  | 1260 | 150 | 275 | 3312 |
| M5000 | 150        | 160           | 4220 | 1270 | 1620 | 740 | 1320 | 3570 | 945  | 1260 | 150 | 275 | 4301 |

### Micron Horizontal Deep Bed Filters (MD)

| Filter Model | Valve Size | EU Valve Size | Bed Depth | Inner Diameter | Filter Area | Filtration Flow Rates               |                                     |                                     |                                     | Backwash Flow Rates                 |                                     |                                     |                                     | Filter Media |       |         |
|--------------|------------|---------------|-----------|----------------|-------------|-------------------------------------|-------------------------------------|-------------------------------------|-------------------------------------|-------------------------------------|-------------------------------------|-------------------------------------|-------------------------------------|--------------|-------|---------|
|              |            |               |           |                |             | 30m <sup>3</sup> /hr/m <sup>2</sup> | 30m <sup>3</sup> /hr/m <sup>2</sup> | 36m <sup>3</sup> /hr/m <sup>2</sup> | 36m <sup>3</sup> /hr/m <sup>2</sup> | 40m <sup>3</sup> /hr/m <sup>2</sup> | 40m <sup>3</sup> /hr/m <sup>2</sup> | 50m <sup>3</sup> /hr/m <sup>2</sup> | 50m <sup>3</sup> /hr/m <sup>2</sup> | Media        | Sand  | ZeoPlus |
|              |            |               |           |                |             | lpm                                 | m <sup>3</sup> /hr                  | lpm                                 | m <sup>3</sup> /hr                  | lpm                                 | m <sup>3</sup> /hr                  | lpm                                 | m <sup>3</sup> /hr                  | litres       | Kg    | Kg      |
| MD6500       | 200        | 210           | 1200      | 2244           | 6.50        | 3250                                | 195                                 | 3900                                | 234                                 | 4333                                | 260                                 | 5417                                | 325                                 | 7548         | 11020 | 9058    |
| MD8000       | 200        | 210           | 1200      | 2173           | 8.00        | 4000                                | 240                                 | 4800                                | 288                                 | 5333                                | 320                                 | 6667                                | 400                                 | 9795         | 14300 | 11753   |
| MD10000      | 250        | 260           | 1200      | 2173           | 10.00       | 5000                                | 300                                 | 6000                                | 360                                 | 6667                                | 400                                 | 8334                                | 500                                 | 12115        | 12116 | 14540   |

### Micron Horizontal Filters (MD) Dimension (mm)

| Model   | Valve Size | EU Valve Size | A    | B    | C    | W    | R    | L    | E    | F    | G   | H   | M    |
|---------|------------|---------------|------|------|------|------|------|------|------|------|-----|-----|------|
| MD6500  | 200        | 210           | 3765 | 2000 | 2260 | 1120 | 2066 | 2405 | 1890 | 2000 | 230 | 240 | 3900 |
| MD8000  | 200        | 210           | 4516 | 2000 | 2260 | 1120 | 2066 | 3155 | 1906 | 2000 | 230 | 306 | 4690 |
| MD10000 | 250        | 260           | 5580 | 2000 | 2260 | 1120 | 2032 | 4055 | 1883 | 2000 | 230 | 283 | 5730 |

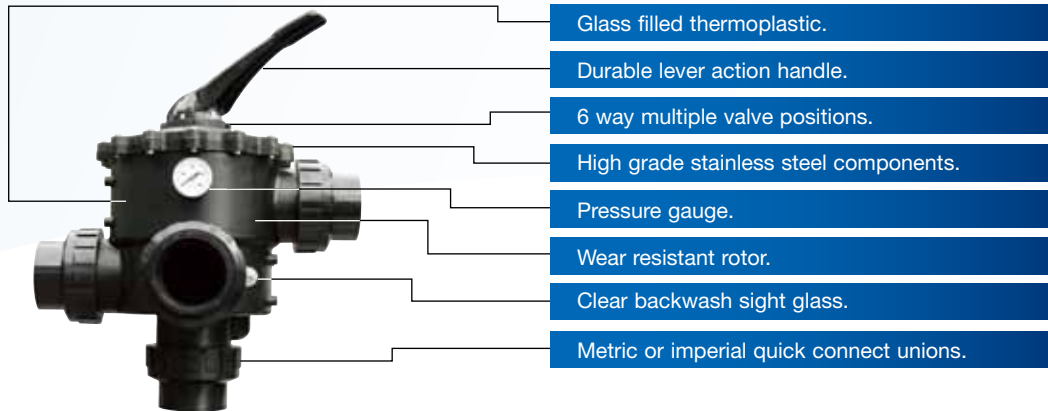


### Warranty

Waterco is proud to show its ultimate confidence in its range of commercial fibreglass filters by offering a 5 year (1 year full + 4 year pro rata) tank warranty for commercial installations.

## Waterco Multiport Valves

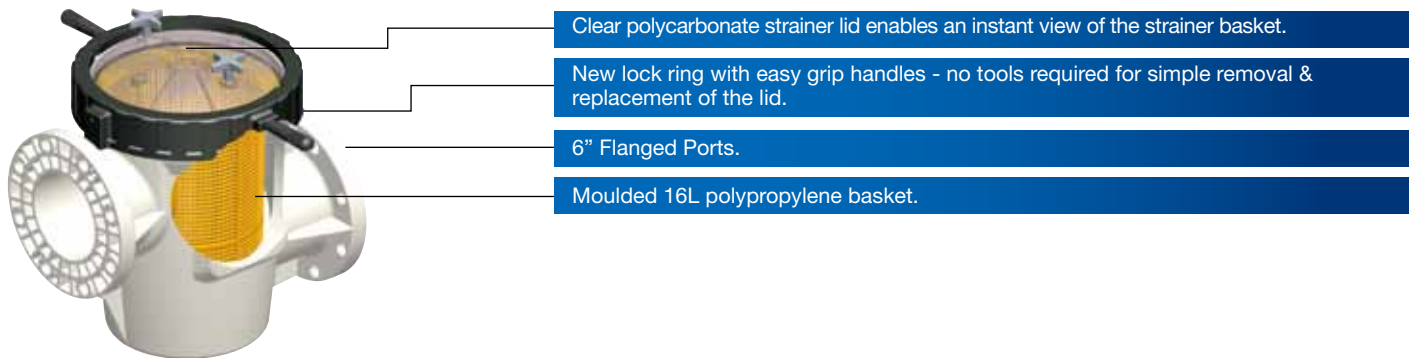
Constructed from heavy duty ABS and GFPP, Waterco Multiport valves are designed for maximum performance and working pressures. Waterco's entire range of Multiport valves are engineered to withstand a working pressure of up to 400 kPa (58 psi) with a test pressure of 600 kPa (87 psi).



Waterco MPV's are available in 40mm / 50mm (EU) / 1 1/2", 50mm / 63mm (EU) / 2", 65mm / 75mm (EU) / 2 1/2", 80mm / 90mm (EU) / 3" and 100mm / 110mm (EU) / 4"

## Hydro Commercial Strainer

Constructed from composite materials, the Hydro Commercial Strainer is a totally non corrosive strainer, designed for aquatic facilities, water parks and large commercial swimming pools.



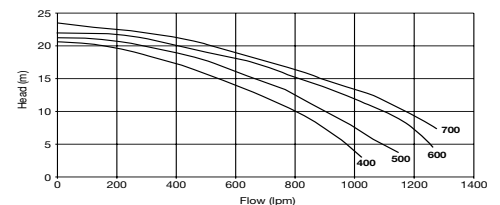
## Waterco Commercial Pumps

Waterco commercial pumps incorporate the latest technology in design and construction to produce a high performance, energy saving pump ideal for any situation that demands maximum output.

### Hydrostar Pump



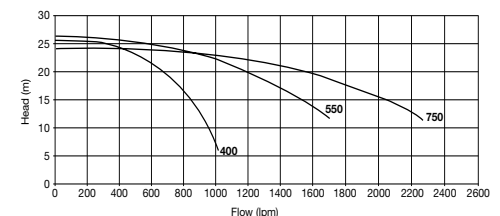
Hydrostar MKIII pumps efficiently deliver high flow rates and incorporate an innovative quarter lid & lock ring assembly for easy maintenance.



### Hydrosteel Pump



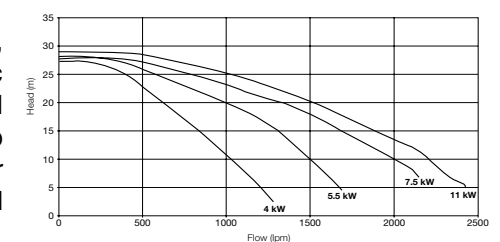
Hydrosteel pumps are the first hybrid of its kind; the pre-strainer is constructed from glass filled thermoplastic, while its impeller and volute are constructed from 316 grade stainless steel.



### Hydro5000 Pump



The Hydro5000 pump is a high performance, self priming pump, designed for aquatic facilities, water parks and large commercial swimming pools. Hydro5000 commercial pump incorporates a reinforced thermoplastic strainer housing for significant weight reduction and improved corrosion resistance.







Established since 1981, Waterco is an Australian public listed company involved in the manufacture and distribution of:

- Swimming pool/spa equipment and chemicals
- Domestic water filters, softeners and purifiers
- Commercial and Industrial water treatment equipment.

Waterco's research & development team has created an innovative range of award winning products.

The company's advanced fibreglass winding and pioneering plastic moulding techniques have delivered premium quality products to over 40 countries via its branches operating in Australia, New Zealand, Malaysia, China, the United Kingdom, United States of America, Canada, Indonesia and Singapore.



**OFFICES - AUSTRALIA**

NSW - Sydney (Head Office)  
Tel: +61 2 9898 8600  
QLD - Brisbane  
Tel: +61 7 3299 9900  
VIC/TAS - Melbourne  
Tel: +61 3 9764 1211  
WA - Perth  
Tel: +61 8 9273 1900  
SA/NT - Adelaide  
Tel: +61 8 8244 6000  
ACT Distribution  
Tel: +61 2 6280 6476

**OFFICES - OVERSEAS**

Waterco (Europe) Limited  
Sittingbourne, Kent. UK  
Tel: +44 (0) 1795 521 733  
Waterco (USA) Inc  
Augusta, Georgia, USA  
Tel: +1 706 793 7291  
Waterco Canada  
St Hyacinthe, Quebec, Canada  
Tel: +1 450 796 1421  
Waterco (NZ) Limited  
Auckland, New Zealand  
Tel: +64 9 525 7570

Waterco (C) Limited  
Guangzhou, China  
Tel: +86 20 3222 2180

Waterco (Far East) Sdn Bhd  
Selangor, Malaysia  
Tel: +60 3 6145 6000

PT Waterco Indonesia  
Jakarta, Indonesia  
Tel: +62 21 4585 1481

Waterco Singapore Intl Pte Ltd  
Nehsons Building, Singapore  
Tel: +65 6344 2378

**DISTRIBUTED BY:**

